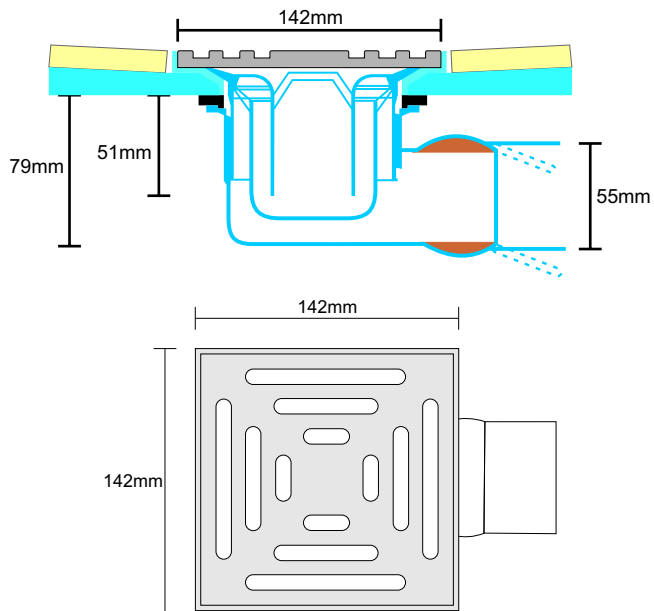


the shower trap



- + Fast flowing design to cope with high pressure showers
- + Only 80mm deep to fit within the floor
- + Swivel knuckle for easy fitting
- + Stainless steel grate
- + Top access - easy to clean
- + Top quality - German made
- + Two grate heights - 6mm for mosaics and other thin tiles and 14mm for normal floor tiles
- + Extension pieces are available for thicker tiles

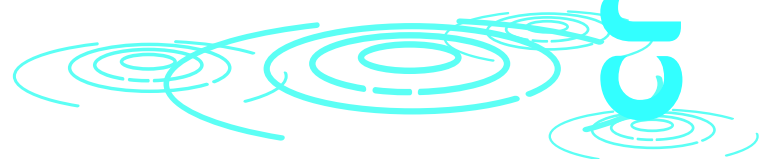


Brooke Ceramics Ltd
Stoneferry Road
Hull HU8 8BT
Tel: 01482 585888

www.tile.co.uk

Monday-Tuesday-Friday 8-6 Wednesday-Thursday 8-8
Saturday 8-6, Sunday 10-4

create the perfect wetroom+



brooke+

installing the perfect wetroom

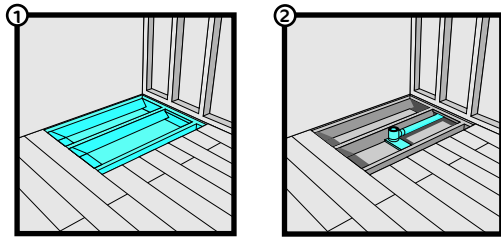


Fig 1. Cut out floorboards to the size of the shower tray i.e. 1000x1000mm or 1200x900mm.

Fig 2. Set trap in the correct position and support with timber to the correct height.

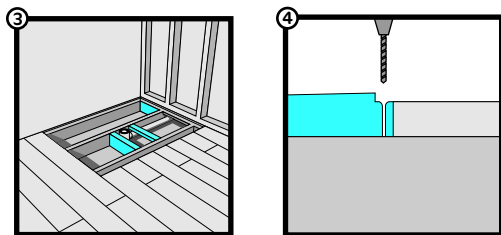


Fig 3. If the edges of the shower tray are not supported, fix noggins or extra joists. The shower tray must be supported on all edges. Fix extra noggins as close as possible to outlet. Use Mega Strength Adhesive for extra strength when fixing noggins.

Fig 4. The shower tray has been designed to sit flush within a 22mm floorboard floor. If installing into an 18mm floorboard floor, the joists will need to be routed by 4mm to allow the tray to sit flush.

NOTE: Mega Strength is an amazingly strong glue; you will not be able to remove the tray once it is fixed. Seal between the tray and the wall with Mega Strength Adhesive. The rebate against the wall will be filled with tile adhesive when tiling.

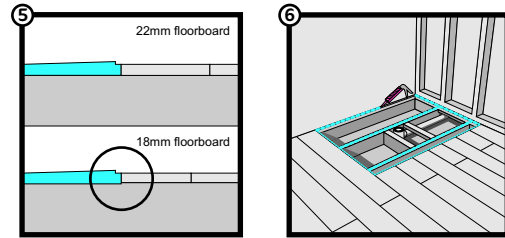


Fig 5. Test the tray and trap position to make sure the outlet lines up with the trap. Drill 3mm pilot holes through the rebate on the shower tray. Drill only through the rebate (not into the joists) and countersink.

Fig 6. Remove shower tray and run a bead of Mega Strength on each joist and noggin. Replace shower tray and fix using No.8 screws. DO NOT OVERTIGHTEN.

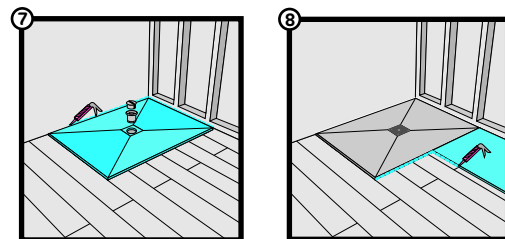


Fig 7. Fit the trap components together and use the temporary plastic cover to protect the trap during tiling.

Fig 8. You can now overboard the floor using No More Ply. Overlap the No More Ply boards onto the shower tray rebate having applied a good bead of Mega Strength Adhesive to get a perfect seal.

Tile Kaskade shower tray using a flexible adhesive and a flexible grout.

Kaskade shower trays can also be successfully installed in concrete floors.

how it goes together

KASKADE SHOWER TRAY

A one piece preformed under-tile shower tray that fits flush with the floorboards. Features a built-in fall and a rebate to accept 6mm No More Ply tile backer boards which creates a watertight wetroom. Supplied complete with a Kaskade Shower Trap.

KASKADE SHOWER TRAP

The fast flow trap that's designed to fit within the height of a joist with top access for easy cleaning, a swivel knuckle joint for easy fitting - the Kaskade trap is the perfect solution for your wetroom.

NO MORE PLY

Stabilise any substrate with No More Ply - the dimensionally stable water resistant tile backer board that's easy to work with and install. No More Ply creates a watertight, crack resistant wetroom when installed using Mega Strength Adhesive.

MEGA STRENGTH ADHESIVE

The ultra strong, fast curing, completely waterproof, gunnable adhesive/sealant. As well as anchoring Kaskade shower trays and No More Ply boards to almost any substrate, Mega Strength Adhesive creates a water tight seal between boards and around the corners of your wetroom.

- | | |
|--|------------------------------|
| 1 Plaster wall | 5 Tiles |
| 2 Stud wall | 6 Floor boards |
| 3 Dot and dab with single part flexible adhesive | 7 Floor joist |
| 4 Waterproof tile adhesive | 8 Extra slim timber supports |

